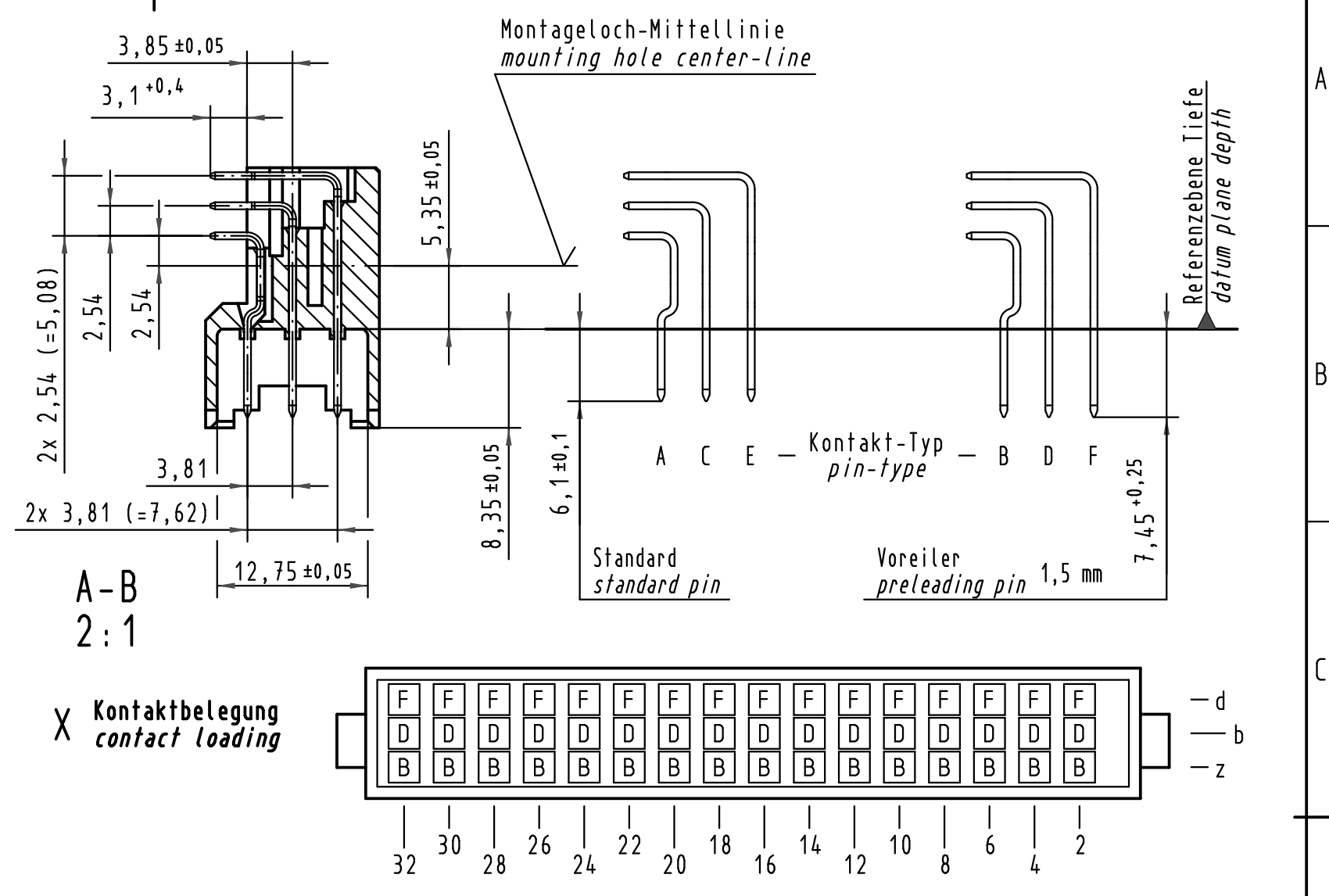
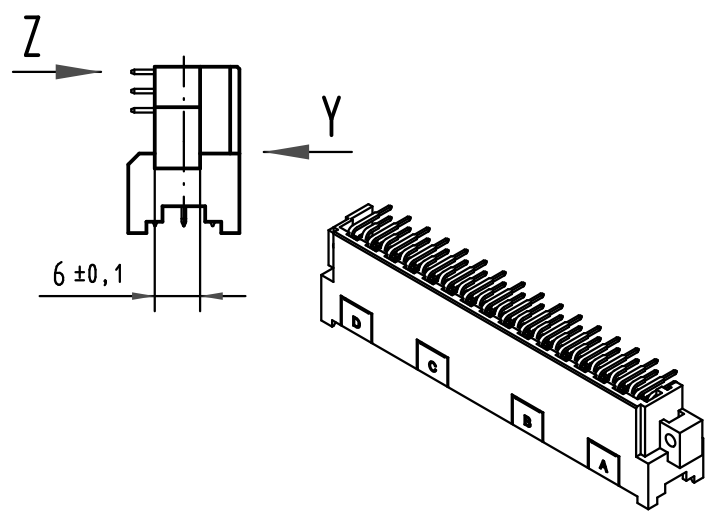
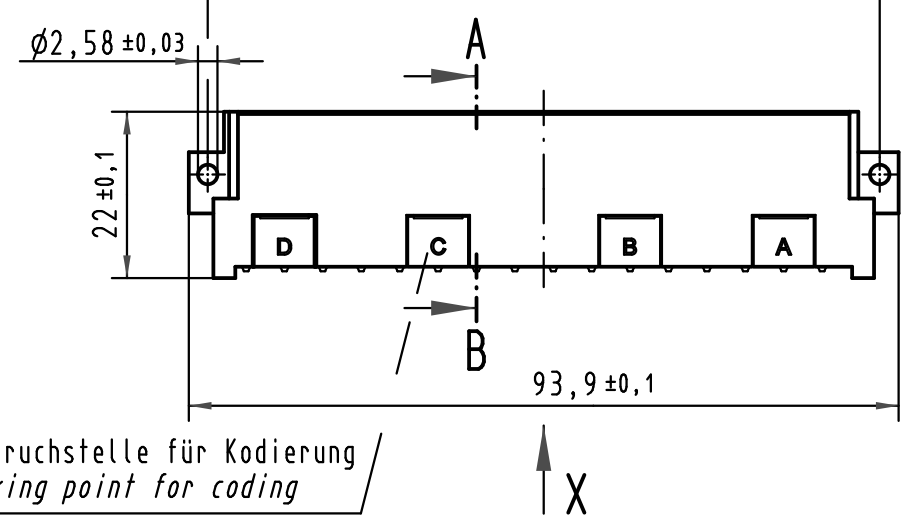
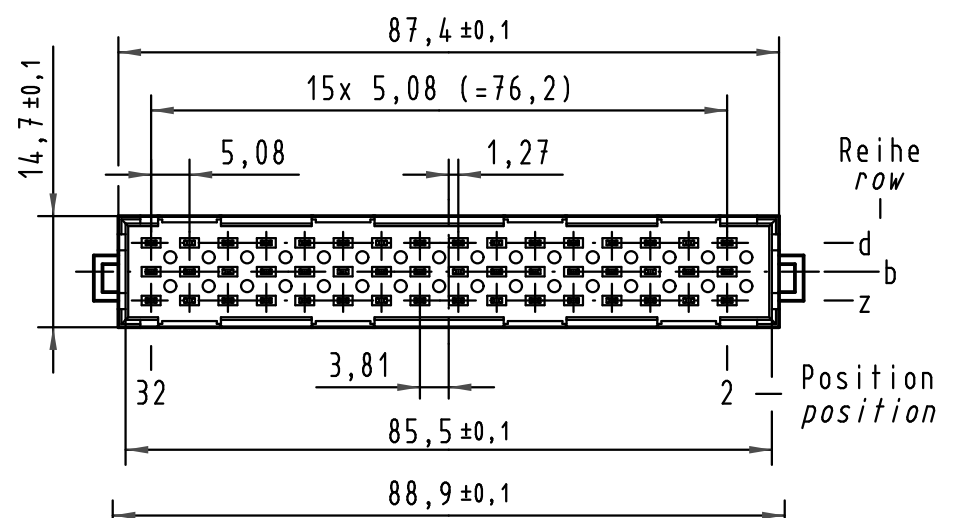
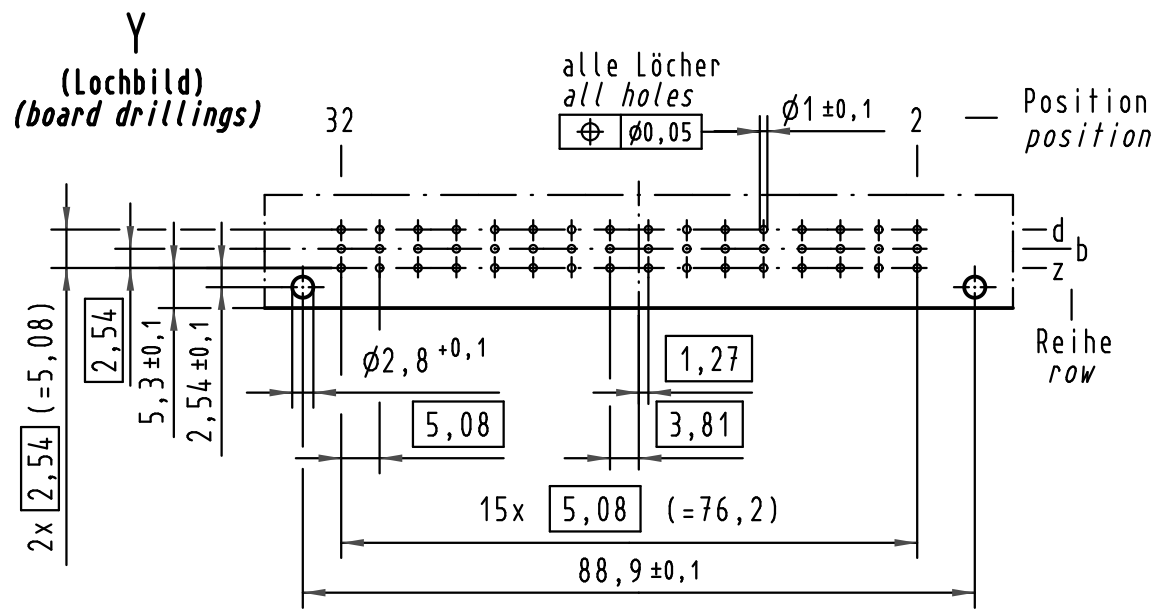


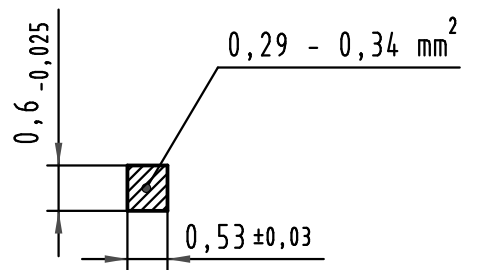
Alle Rechte vorbehalten/ All rights reserved



|                      |  |                                   |
|----------------------|--|-----------------------------------|
| 09 06 148 2935       | 1  | Au flash over PdNi over Ni        |
| Bestell-Nr. part-no. | Anforderungsstufe nach IEC performance level acc. to IEC | Kontaktoberfläche contact plating |

**Z 10:1**

Querschnitt der Lötanschlüsse:  
cross-section of solder terminations:



|  |          |       |                                   |         |          |   |                 |  |  |
|--|----------|-------|-----------------------------------|---------|----------|---|-----------------|--|--|
| All Dimensions in mm Original Size DIN A 3 |          |       | Techn. Character.                 |         |          | Nicht tolerierte Maßel Free size tolerances IEC 60603-2 |                 |  |  |
|  |          |       |                                   | Dat.    | Name     | Maßstab/Scale   |                 |  |  |
|  |          |       |                                   | Detail. | 22.03.02 | Rie.  | 1:1 (2:1; 10:1) |  |  |
|  |          |       |                                   | Insp.   | 22.03.02 | kfoe  |                 |  |  |
|  |          |       |                                   | Stand.  |          |   |                 |  |  |
| 35260                                      | 09.09.08 | Hage. | HARTING Electronics GmbH & Co. KG |         |          |   |                 |  |  |
| 33143                                      | 14.10.05 | Hage. | D-32339 ESPELKAMP                 |         |          |   |                 |  |  |
| 30903                                      |          |       |                                   |         |          |   |                 |  |  |
| Mod.                                       | Dat.     | Name  |                                   |         |          | TB 09 06 148 x935                                       |                 |  |  |
|  |          |       |                                   |         |          | Sub.  |                 |  |  |

Blatt/ page